
U.S. SUBMARINES, INC.

Description of Available Submarines & Related Products



U.S. SUBMARINE
ENGINEERING LLC.

JUNE 2008

Submarine Manufacturing in the U.S.A.

CAPABILITY

U.S. Submarines can design, engineer and build you a submarine of virtually any type, from personal luxury models and commercial units to research submersibles.

We can execute feasibility studies and business plans and we train your pilots for operations and provide maintenance contracts for everything we build.

U.S. Submarines has offices in Seattle, WA • Coeur d'Alene, ID • Vero Beach, FL • Portland, OR, Paris, France and Dubai, UAE

THE COMPANY

U.S. Submarines, Inc.

U.S. Submarines, Inc. was co-founded in 1993 by L. Bruce Jones, the world's leading expert on civil submarines, and his partner, Ellis Adams. The company developed the concept of the personal luxury submarine and has also designed deep submersibles for marine science research, diesel electric submarines, tourist submarines with both steel and transparent acrylic pressure hulls; military patrol and surveillance submarines and a line of floating semi-submersible underwater residences and habitats as well as the world's first sea floor resort, and most recently, the H₂OME, the world's first sea floor residences.

U.S. Submarines is also involved in a wide range of consulting endeavors and develops commercial tourist submarine operations for clients on a world-wide basis.



The Smallest Luxury Submarine in the Fleet

TRITON

The Triton 1000 was designed specifically to be carried aboard large yachts. Available in 2- and 3-passenger configurations the basic sub will dive to 305 meters (1000 feet) with versions available with diving depths to 1000 meters.

A fleet of these submarines is being constructed for Poseidon Undersea Resorts where guests will have the opportunity to learn to pilot their own submarine (<http://poseidonresorts.com>).



The Ultimate Yacht Accoutrement

TRITON

Since the first Triton delivery in December 2007 orders for additional Tritons have been pouring in from discerning yacht owners interested in exploring the undersea world.

We believe the Triton will be the most prolific submersible ever produced and we have recently commissioned a full simulator for pilot training.

Triton is the only submersible designed specifically for integrated operation from large yachts. Prices begin at \$1.77 million.



A Small Multi-role Diesel Electric Submarine

S-101

The S-101 is a prototype multi-role small diesel electric submarine that is suitable for personal use, harbor patrol & surveillance, launch and recovery from a yacht, commercial inspection work, etc. The submarine is available in depth ratings of from 200 to 500 meters.

Prices begin at \$1.3 million.



The World's Most Advanced Small Luxury Submarine

DISCOVERY

The Discovery 1000 is the world's most advanced small submarine. The Discovery has a transparent acrylic passenger compartment and dives to 305 meters. An optional diesel engine increases the submarine's surface range and endurance and a versatile modular design allows the Discovery to be built in configurations that will carry two to seven passengers.

Prices begin at \$2.6 million.

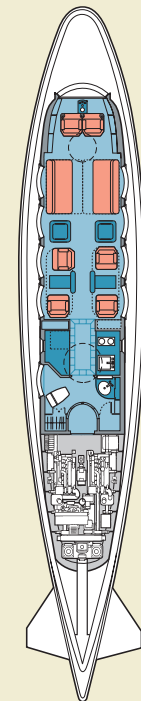


A Mid-Size Luxury Submarine

NOMAD

The Nomad 1000 is the world's first luxury submarine design. The Nomad has a full head and galley and will sleep six in the main passenger compartment on overnight trips. The submarine dives to 305 meters and has a 1000 nautical mile (1850 km) surface range at cruising speed.

Nomad prices begin at \$5.5 million.



A Luxury Submarine with Trans-Atlantic Range

SEATTLE

The Seattle 1000 is a truly remarkable personal luxury submarine available in several configurations. This diesel-electric submarine has a 3000 nautical mile range and can dive to 305 meters (1000 feet).

The price of the Seattle 1000 is \$30 million.

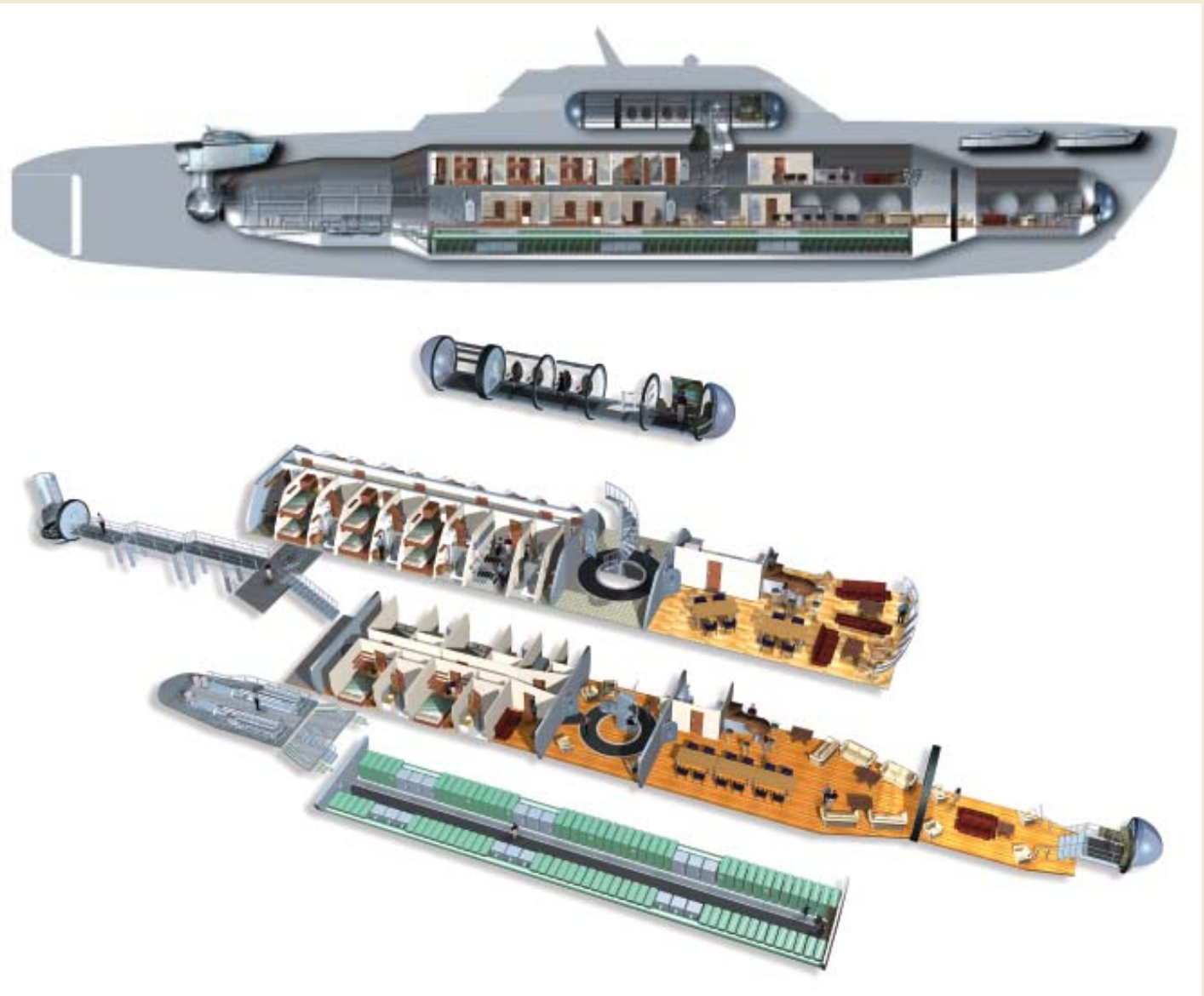


The Ultimate in Personal Transportaton

PHOENIX

At 65 meters (213 feet) in overall length and some 1500 tons displacement the Phoenix 1000 has over 500 square meters of interior space. This \$80 million submarine has a 305 meter (1000 foot) diving depth, trans-atlantic range and even carries an optional small submersible that can dive to depths of 3000 meters.

The estimated price of the Phoenix 1000 is \$90 million.



Tourist Submarines Provide Profitable Business Opportunities

TOURIST SUBMARINES

A fleet of over 30 purpose built tourist submarines takes passengers on one-hour journeys of discovery by diving on coral reefs around the world. Last year the industry carried over 2 million passengers and enjoys a perfect safety record over 20 years of operations.

The Company has developed the world's most advanced tourist submarine designs with both steel and transparent acrylic pressure hulls and can provide a turn-key operation.



Hawaii



Italy



Bahamas



Martinique



The Canary Islands



St. Thomas

We Can Provide a Complete Turn-Key Tourist Sub Business

TOURIST SUBMARINES

Operating a tourist submarine can be remarkably profitable with some single submarine businesses earning over \$1 million per month.

At U.S. Submarines we are world-class experts in this field and we can assist you with every aspect of operational start up.

We represent every used civil submarine in the world today and can provide equipment at very reasonable cost.

USED SUBMARINES

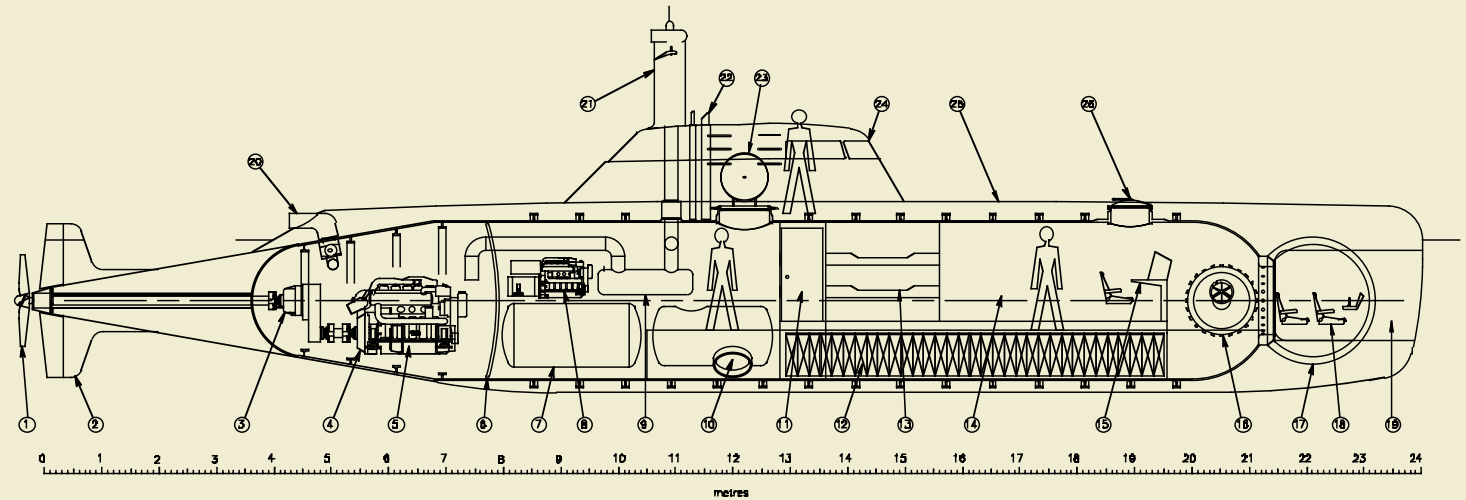


Small Military Submarines Have Excellent Marketing Potential

AVENGER

We developed a very advanced design for a fast patrol & surveillance/ special forces submarine with extended submerged range. Our advisors believe there is an immediate market for 20 of these submarines.

Our principal engineer for this project has built two small diesel electric submarines for the Swedish Navy which were used for anti-submarine warfare training. He also designed the modifications for the Royal Navy's DSRV and a specialty sub used by the U.S. Navy.



- | | | | | | |
|---|---------------------------------|----|--|----|--|
| 1 | 5 blade propeller | 10 | Wet transfer chamber | 19 | Acrylic protection fairing |
| 2 | Cruciform rudder and hydroplane | 11 | Toilet, Galley opposite | 20 | Diesel exhaust extractor |
| 3 | Transmission | 12 | Battery | 21 | Air induction mast with shut off valve |
| 4 | Diesel engine, 1000kW (1450 hp) | 13 | Bunks for off watch crew | 22 | Telescopic camera periscope masts |
| 5 | Electric motor 700kW | 14 | User defined space | 23 | Main entrance hatch |
| 6 | Bulkhead, 1 bar airtight | 15 | High speed pilot station, port and starboard | 24 | Protected crew area |
| 7 | Liquid oxygen storage | 16 | Watertight safety door | 25 | Free flood deck structure |
| 8 | Closed cycle diesel generator | 17 | 270° acrylic observation sphere, 2.2mOD | 26 | Forward access and NATO rescue hatch |
| 9 | Water air separator | 18 | Forward control station | | |



The World's First Undersea Resort Has Been Designed by U.S. Submarines

POSEIDON

The Poseidon Undersea Resort is another world's first design from U.S. Submarine Engineering. Two versions of this luxury resort have been developed, one that is linked to land by a pier and elevator and the other that can be established in the open sea.



The World's First Sea Floor Residence

H₂OME

Under the guidance of the V.P. of Engineering, Michael Schutte, U.S. Submarine Engineering LLC has developed the world's first sea floor residence, the H₂OME. Based on the millions of dollars spent on the development of the Poseidon resort engineering the H₂OME is a one atmosphere structure where the interior is always at surface pressure. Design depth is between 10 and 18 meters. Access is from shore by pier and elevator or for the autonomous version, by boat or helicopter.



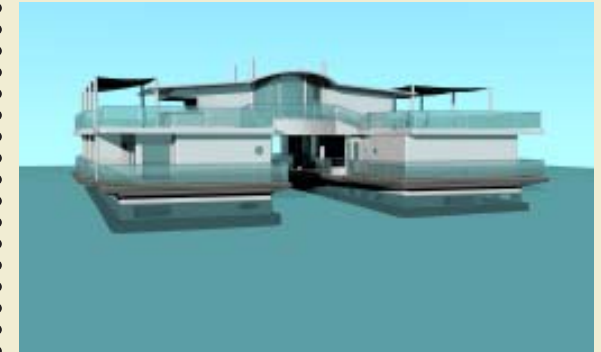
The Ocean Activity Center

OAC

Our SeaRoom Ocean Activity Center is a self-sufficient modular design that consists of a 40-person underwater bar and a 40-person restaurant, five hotel suites with both above water and below water accommodation, a snack bar, gift shop and integrated tourist submarine operation and support center.

The OAC can be based close to shore and linked by a bridge or moored offshore.

A private luxury version is also available.



Experience Makes the Difference

DEPTH

The key management team members have significant depth of expertise based on many years of experience in their respective fields. They are joined by a group of very experienced engineers and technicians in the field of submarine design and construction.

KEY MANAGEMENT

L. Bruce Jones, President, U.S. Submarines

L. Bruce Jones is the President and Founder of U.S. Submarines, Inc. and the developer of the personal luxury submarine concept. He is the world leading expert on civil submarines and submersibles. He was for eight years the Chairman of the Manned Submersibles Committee of the Marine Technology Society and is an appointed member of the Special Committee on Undersea Vehicles of the American Bureau of Shipping. He has 20 years of experience in all aspects of the civil submarine business.

Jean Claude Carne, Executive Vice President, U.S. Submarines

Jean Claude Carne is the Executive Vice President of U.S. Submarines, Inc. A marketing specialist, he was formerly the Vice President of the marine exploration organization, Ramal Ventures and the Director of European Advertising for Showboats International Magazine. In the latter capacity he forged excellent ties with the European yachting community. Mr. Carne was also the Director of Marketing for the Institute of Oceanography in Paris the Foundation Albert 1st, Prince of Monaco.

Paul Moorhouse, V.P. of Engineering, U.S. Submarines

Paul Moorhouse is one of the world's most experienced civil submarine designers. He has designed and built small military submarines, tourist submarines, deep submersibles and personal luxury submarines. He has more experience with civil diesel electric submarines than any engineer in the world.

Patrick Lahey, V.P. of Operations, U.S. Submarines

Patrick Lahey has over 20 years of experience in the operations, design and construction of submarines and submersibles of all types. Patrick heads the Vero Beach, FL manufacturing facility.



Additional Information

MORE

More information on U.S. Submarines can be found on the Web at <http://ussubs.com> and for the Triton 1000 at <http://tsubs.com>

Details on the Poseidon Undersea Resort are at: <http://poseidonresorts.com>

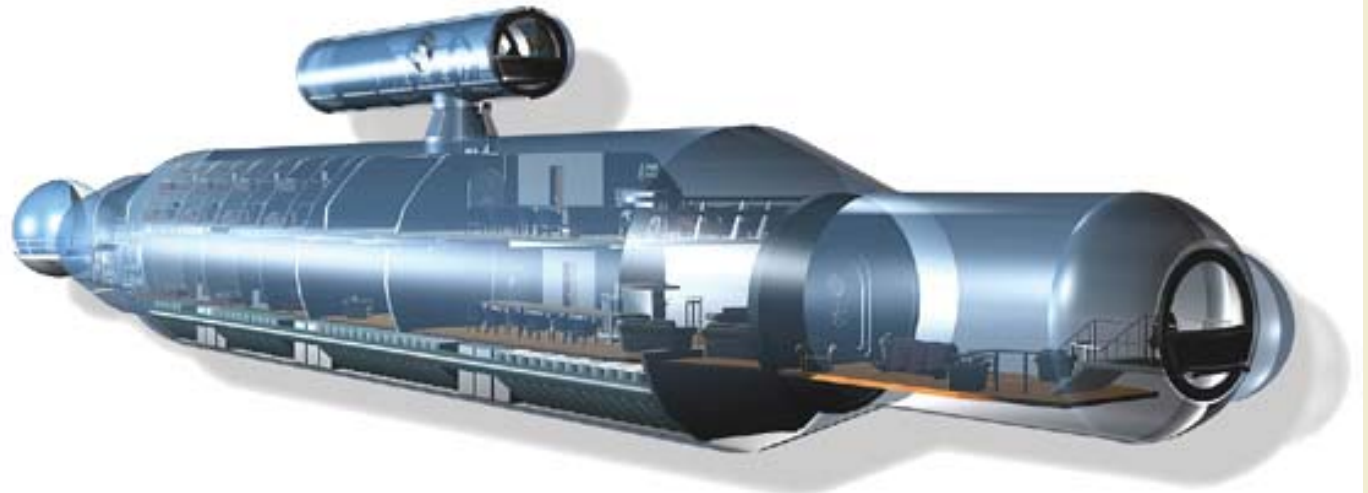
Information on H2OME can be found at: <http://ussube.com>

CONTACT

L. Bruce Jones, President **Tel: 208-687-9057**
U.S. Submarines, Inc. **Fax: 208-441-7478**
E-mail: bruce@ussubmarines.com

Jean Claude Carme, V.P. **Tel: 33 6 89988983**
U.S. Submarines, Inc. • Paris Office
E-mail: jeanclaudio@ussubmarines.com

Patrick Lahey, V.P. **Tel: 772-770-1995**
U.S. Submarines, Inc. • Vero Beach, FL Office
E-mail: patrick@ussubmarines.com





U.S. SUBMARINES



**U.S. SUBMARINE
ENGINEERING LLC.**